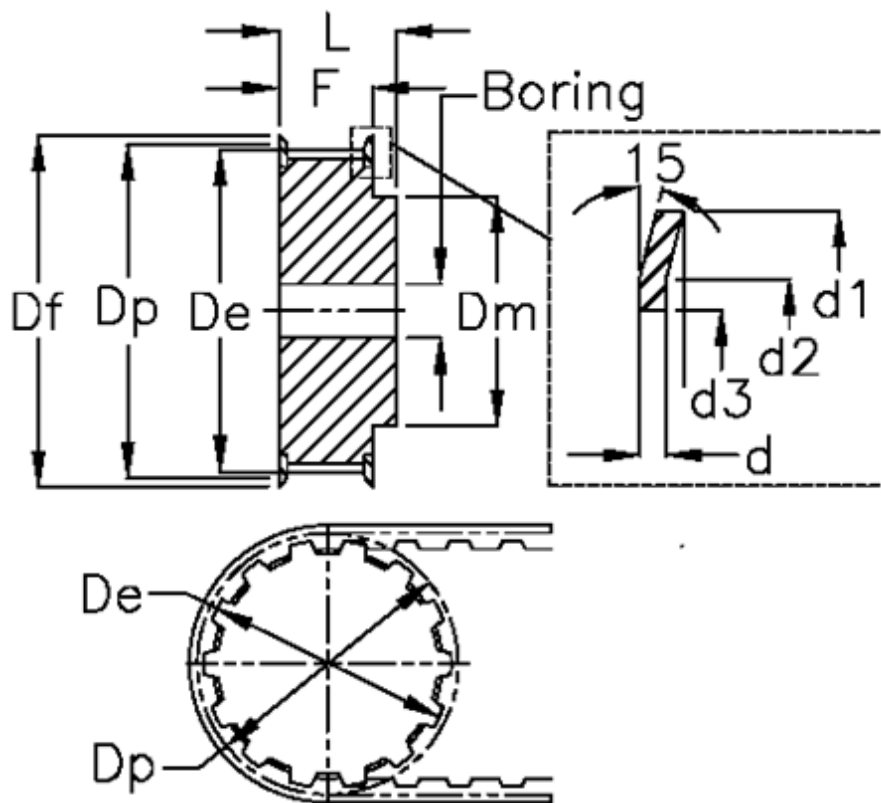


Article number: 604140028009

Description: Timing belt pulley with hub
HTD 28 3M 9

Measures



Bore = 6	Dp = 26.74
d = 0.5	F = 12.8
d1 = 32	Flange type = F10
d2 = 27.5	L = 20.6
d3 = 23	Tooth number = 28
De = 25.98	Type = 3M
Df = 32	Weight = 0.024
Dm = 18	Width = 09